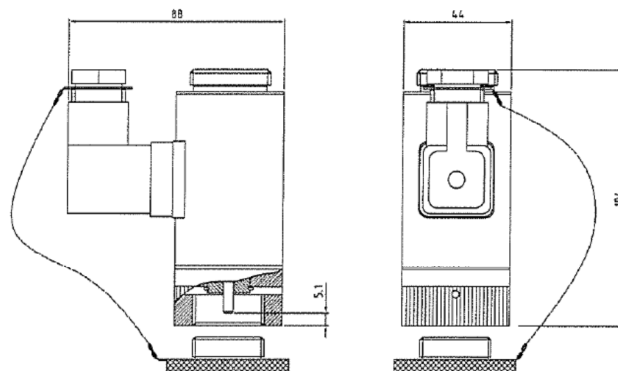
	Druh dokumentu: Datový list	Číslo dokumentu: DL-009
	Název:	Revize: B
	Elektrický spouštěč - selenoid	

3.6 ELECTRICAL ACTUATOR - STANDARD

(Part Nos. 304.205.001, 304.205.010 and 304.209.001)

The Electrical Actuator is used to electrically operate the container valve. The actuator is operated at 24Vdc. (Current consumption - 0.25 Amps). Provision is made for the connection of a manual actuator to the top of the actuator assembly.

The electrical actuator has a life span of 10 years from manufacture, which is indicated on the label.



- Part No. 304.205.001 Electrical Actuator (Suppression Diode)
- Part No. 304.205.010 Electrical Actuator (UL) (Suppression Diode)
- Part No. 304.209.001 Electrical Actuator (Bridge Rectifier)